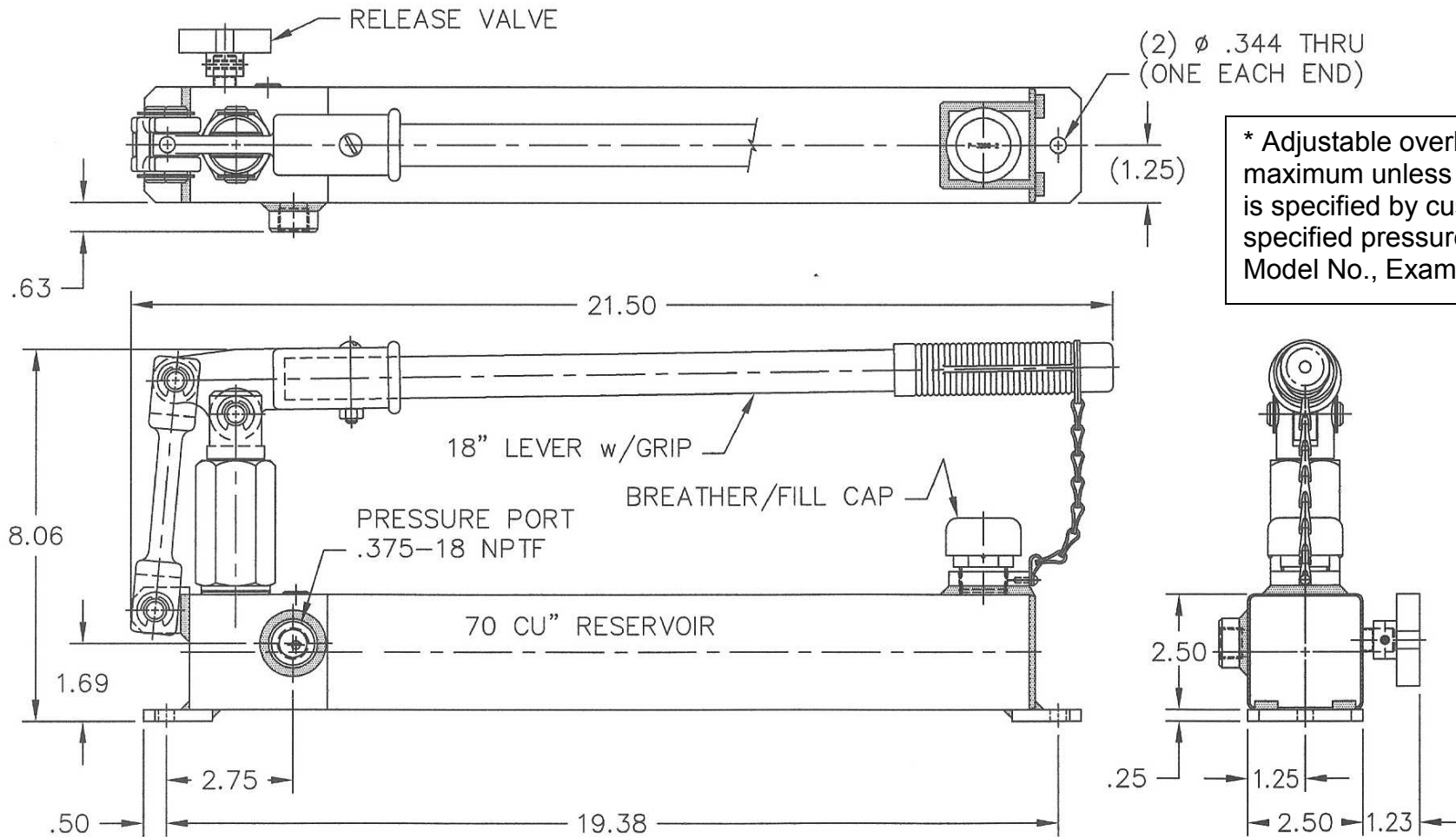


## Star Hydraulics, LLC "PH" Series hand operated pumps

Model No.	Maximum Pressure Rating*	Piston Diameter Inch	Volume per Stroke cubic inch	Handle Load (Lbs) per 1000 PSI	Inlet and Outlet port size N.P.T.F.	Net Weight Lbs.
PH1	10,000	½	.29	13.5	3/8	17
PH2	5,000	¾	.66	30.0	3/8	17
PH3	2,500	1	1.18	54.0	3/8	17



\* Adjustable overload will be set at maximum unless a lower pressure is specified by customer. Add specified pressure at end of Model No., Example PH-1-8500